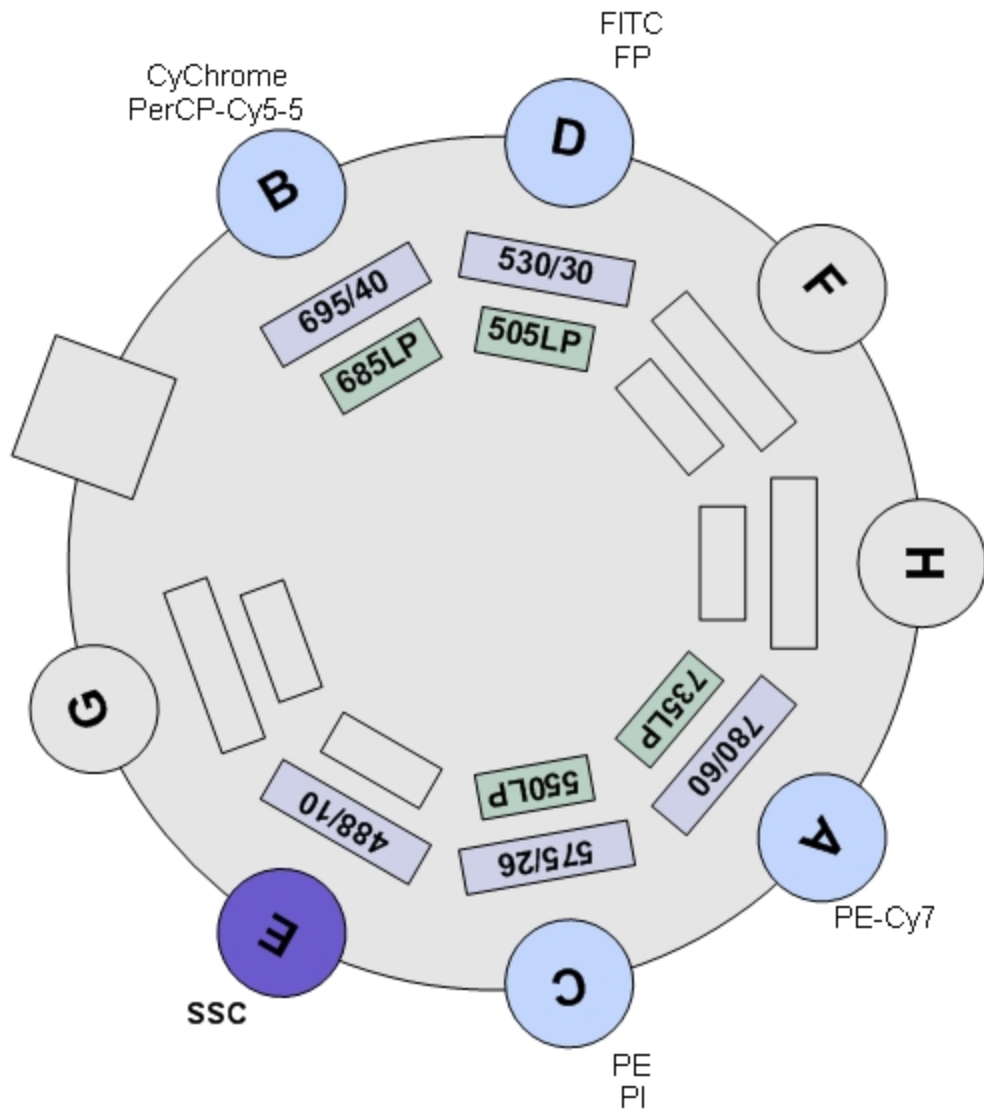


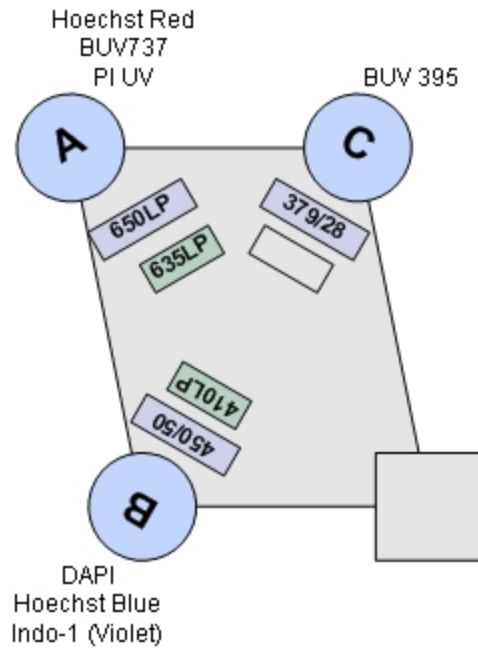
Upgrade

| | | | |
|-------------------|-------|--------------|----------------------|
| Cytometer: | LSRII | User: | Administrator |
| Cytometer Name: | LSRII | Institution: | |
| Serial Number: | 1 | Software: | BD FACSDiva 6.1.3 |
| Input Device: | HTS | Date: | 7/1/2014 11:49:13 AM |
| Window Extension: | 10.00 | | |

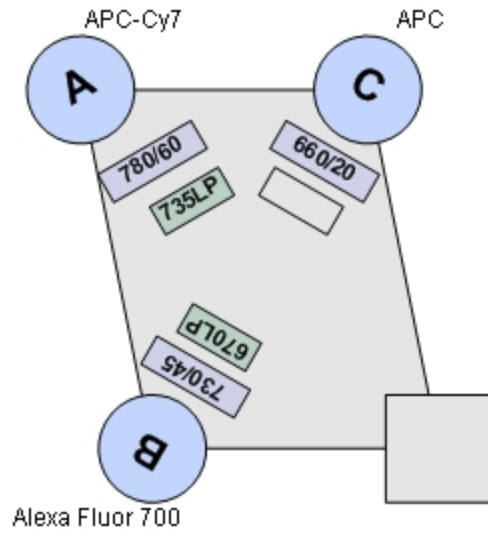
Blue Laser
(488nm)
FSC



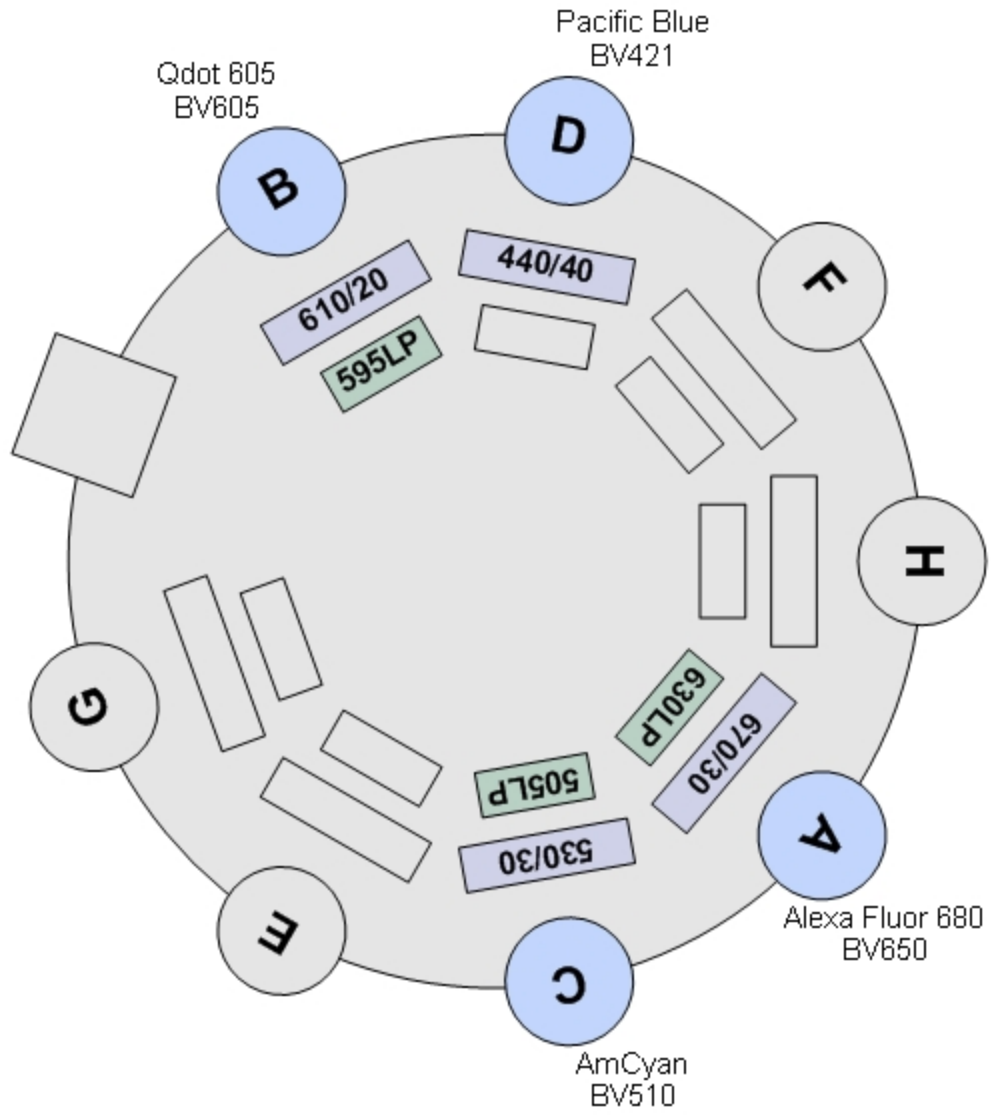
355 UV Laser
(355nm)



Red Laser
(633nm)



Violet Laser
(407nm)



Comments: