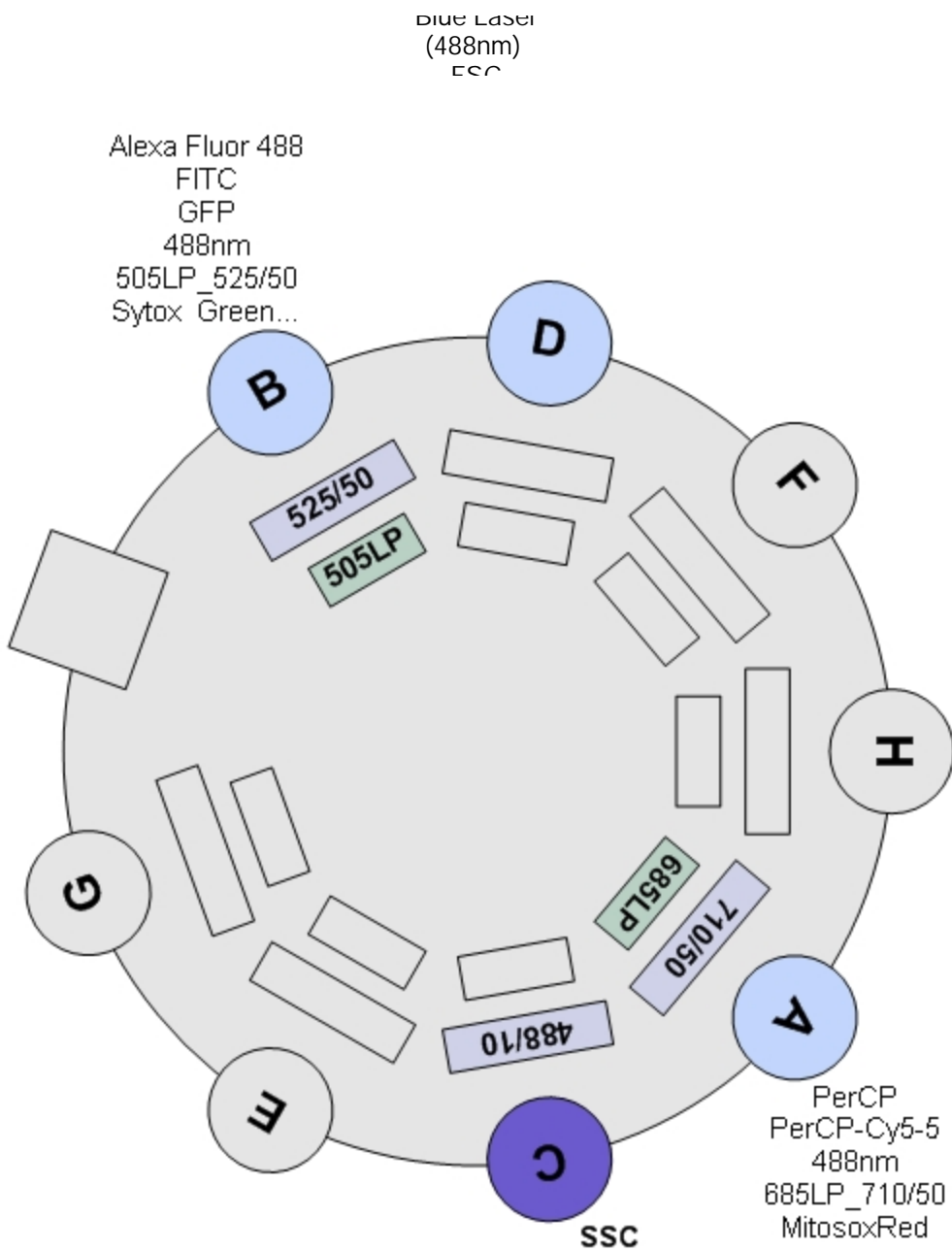
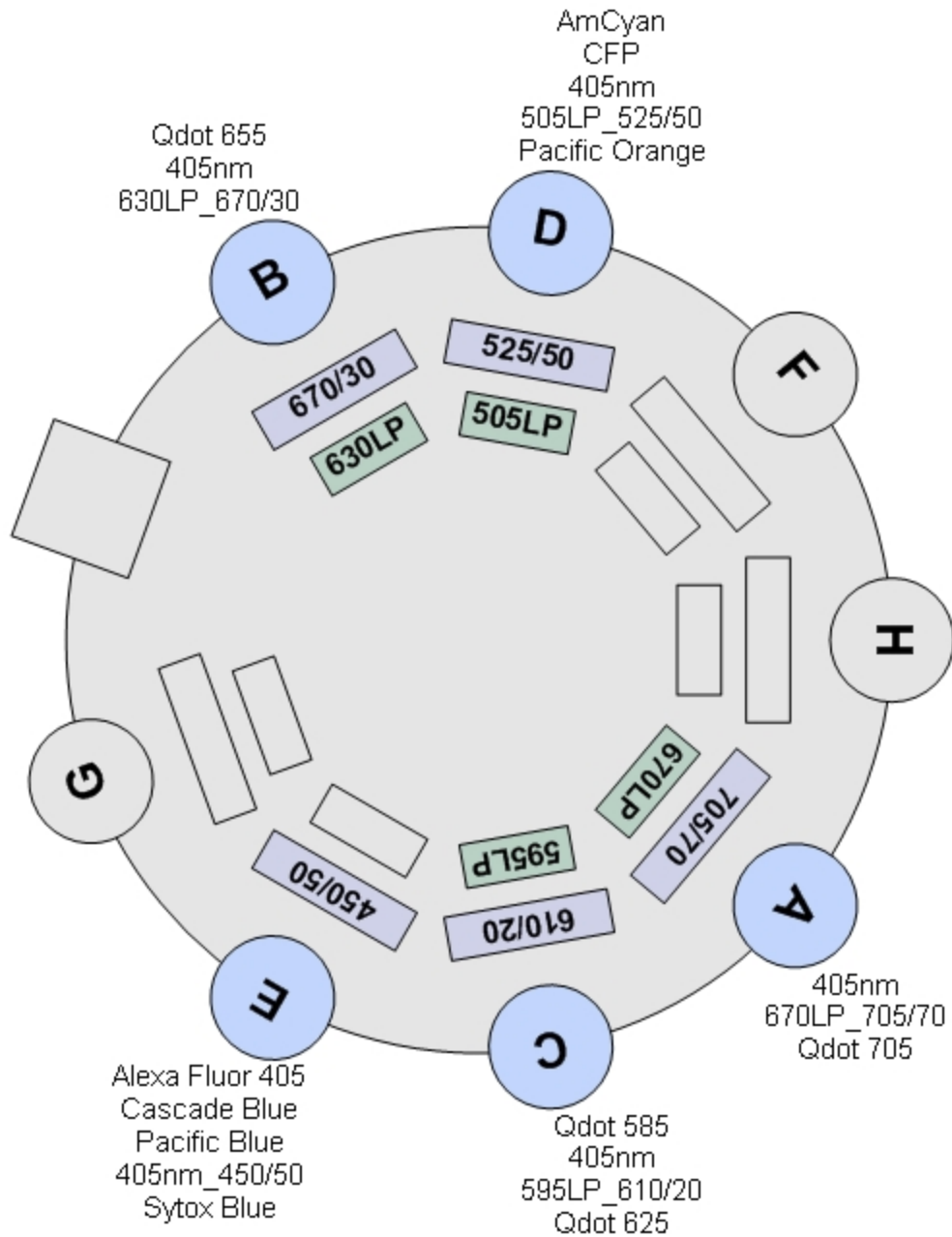


SORP LSR Fortessa

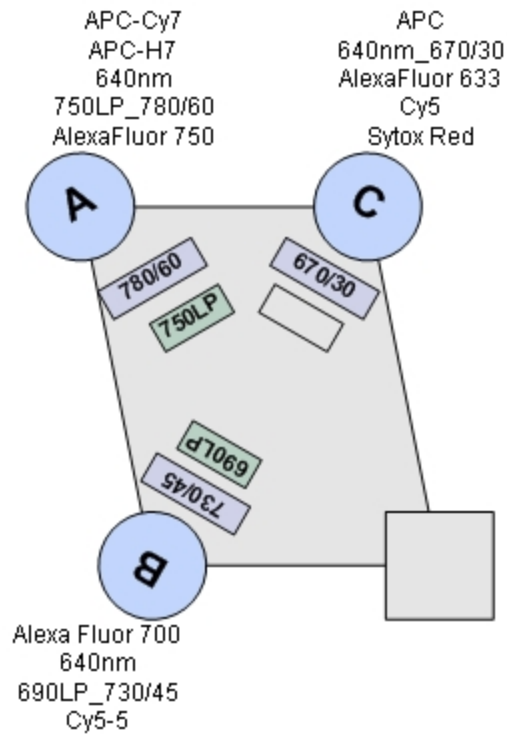
Cytometer:	LSRII	User:	Administrator
Cytometer Name:	LSR-Fortessa	Institution:	
Serial Number:	H80000001	Software:	BD FACSDiva 6.1.3
Input Device:	HTS	Date:	4/27/2012 8:04:39 AM
Window Extension:	10.00		



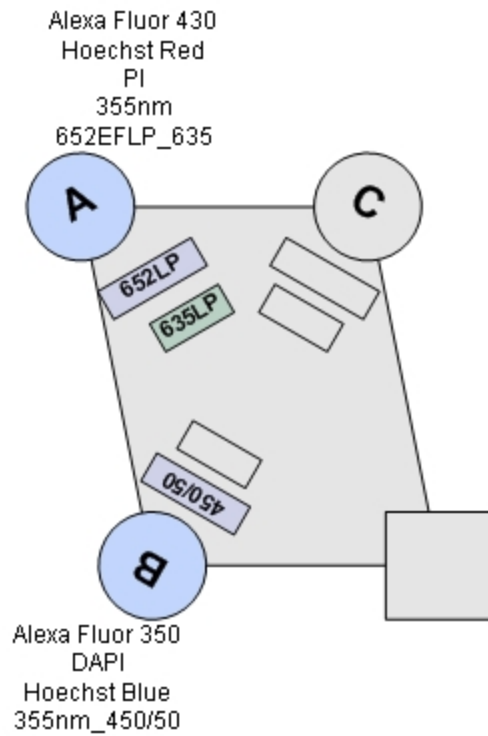
Violet Laser
(405nm)



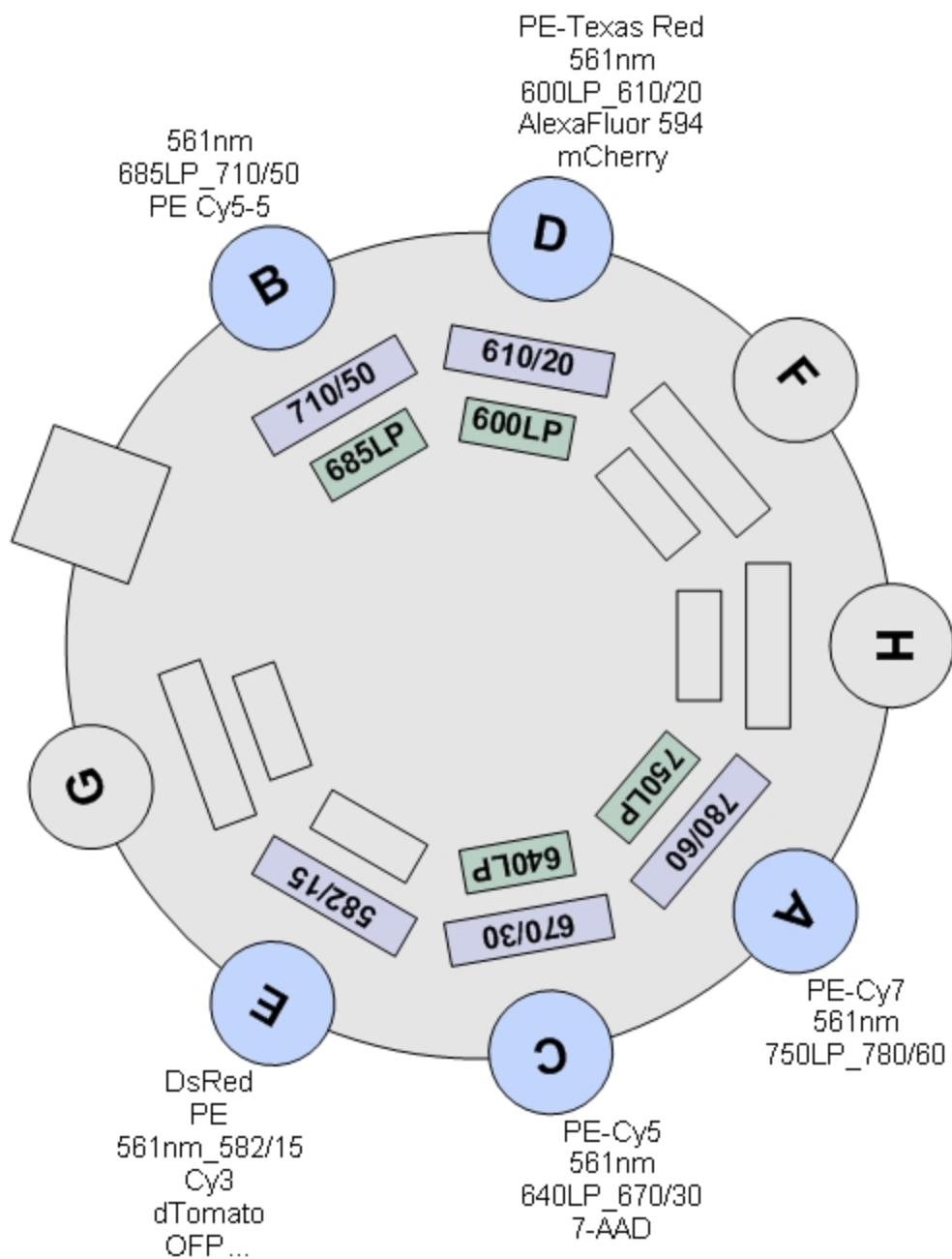
Red Laser
(640nm)



UV Laser
(355nm)



YellowGreen Laser
(561nm)



Comments: